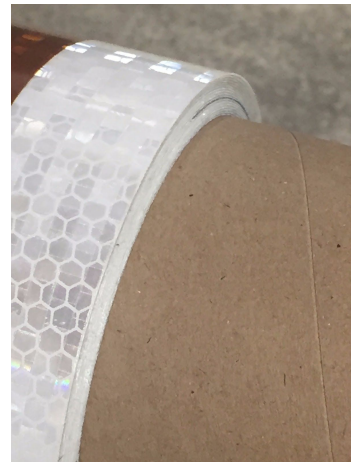
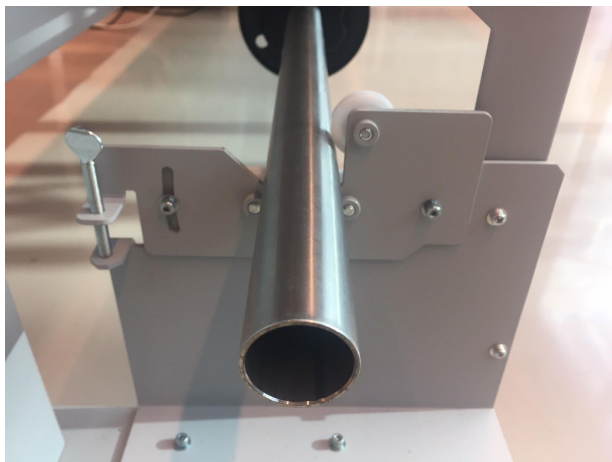


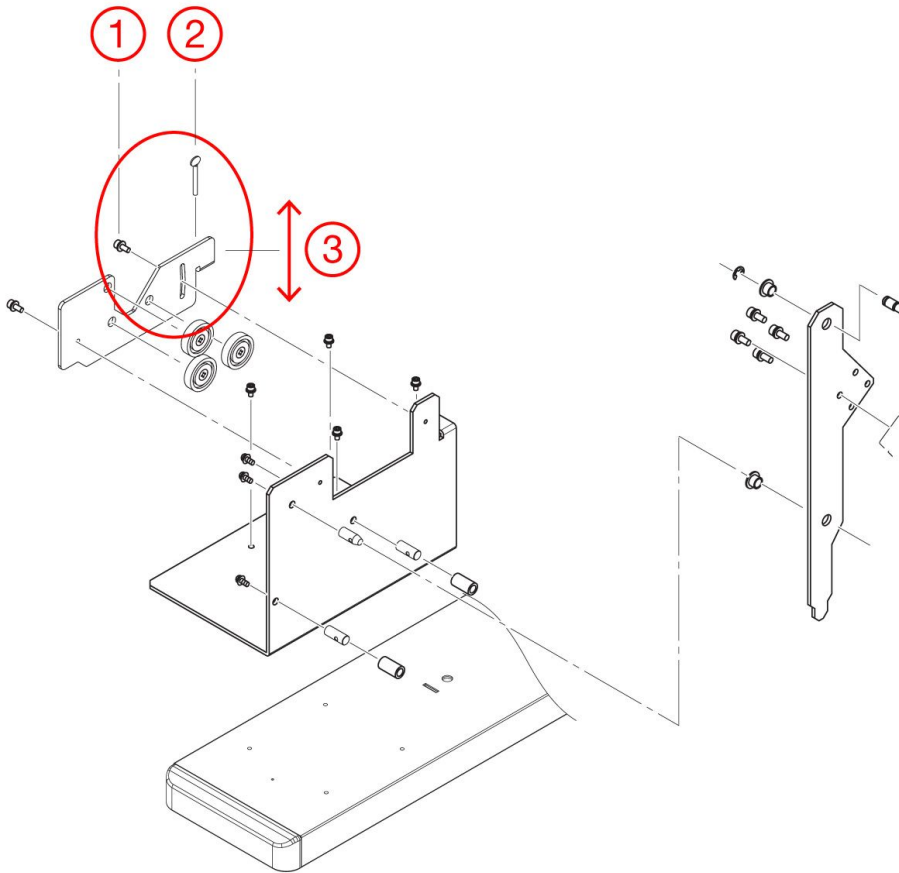
Avery Dennison®

TrafficJet™ - Align Take-Up System

Instructional Bulletin : # 9.21
Revision : # 03
Last Updated : September 2018

To improve the accuracy of the default Take-Up System (TUP30) and to reduce the sheeting from “zig-zagging” while being rolled up, please follow the procedure from [the movie](#) below:





Troubleshooting

- Make sure the horizontal cross-beam is in the correct position
- Make sure all nuts and bolts are completely tight (stand as well as take-up)
- Make sure the printer is leveled (use the print bed as base)
- Verify if the unwind brakes are set to the same force
- Verify if the pinch rollers are clean and not broken as well as the grid roller has to be clean to have proper and uniform friction
- Test if changing the pressure roller pressure in low or high pressure improves the result
- Test if adding the counter weight kit to the swing bar improves the result
- Center the media during loading
- Attach the media as good as possible to the take-up without slant
- Prepare optimized artwork for tiling (IB# 9.35)

The above Avery Dennison literature provides information to the user for proper application, storage and other requirements. Please refer to Product Data Bulletins or your local Avery Dennison Representative for warranty information. Find the latest information on the Avery Dennison website, www.reflectives.averydennison.com. We encourage you to check our website periodically for updates.

All statements, technical information and recommendations about Avery Dennison products are based upon tests and information believed to be reliable, but do not constitute a guarantee or warranty of any kind. All Avery Dennison products are sold with the understanding that Purchaser has independently determined the suitability of such products for its intended and other purposes.

For technical questions, please contact:

North America: reflective.tech.na@averydennison.com

Europe, Middle East & Africa: reflective.tech.emea@eu.averydennison.com

Asia Pacific: reflective.tech.ap@ap.averydennison.com

South America: reflective.tech.sa@averydennison.com